

# SECO Dealer Bulletin

call your SECO representative today!

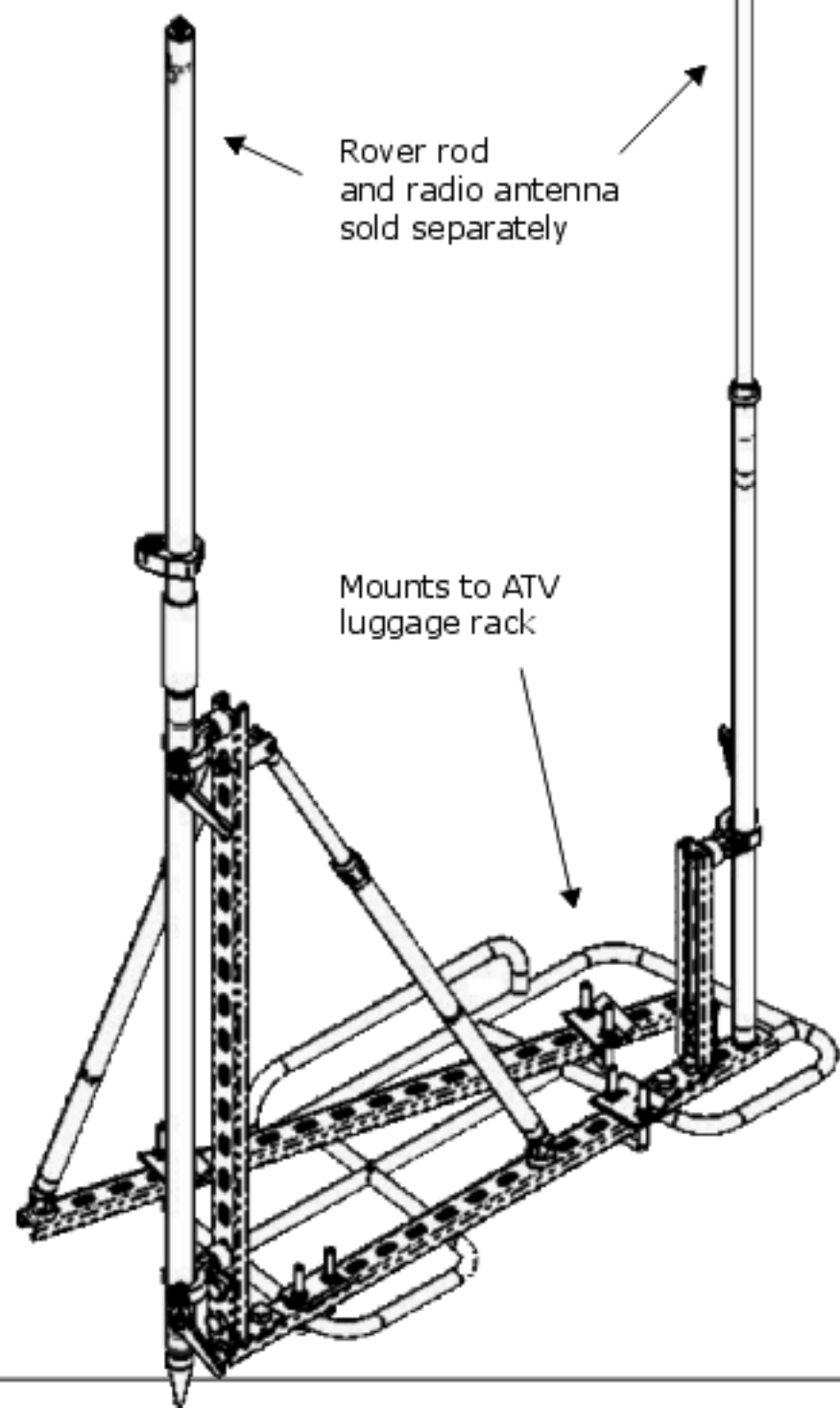
GPS  
on your  
ATV Quad!

- This system is designed to hold a rover rod and a radio antenna pole (*sold separately*)
- The universal bracket system fits most ATVs
- It attaches with U bolts to the luggage rack
- The bracket's tripod design makes a rigid framework that holds up to vibration and shock of ATV operation
- It holds all poles from 1" to 1-1/4" diameter
- Quick clamp handles make loading and unloading the rover pole fast and secure
- This unit is fully adjustable; the slotted channels allow customizing all components to your particular set-up needs
- Data controller can connect to the handle bars and quickly transfer back to the pole with our new ball-and-socket bracket (#5199 series, *sold separately*)
- Installation to ATV takes approximately 1 hour using basic tools
- Comes with transport / storage bag
- Weighs 24 lb (10.89 kg)

## ATV Pole Bracket System

5198-50

See the 5198-50 installed.  
Visit [www.surveying.com](http://www.surveying.com) to see a photo!



05-23-03

more information about 5198-25,26,27 and 5199 series ball-and-socket brackets, that work with this system, is online at the SECO web site [www.surveying.com](http://www.surveying.com).

